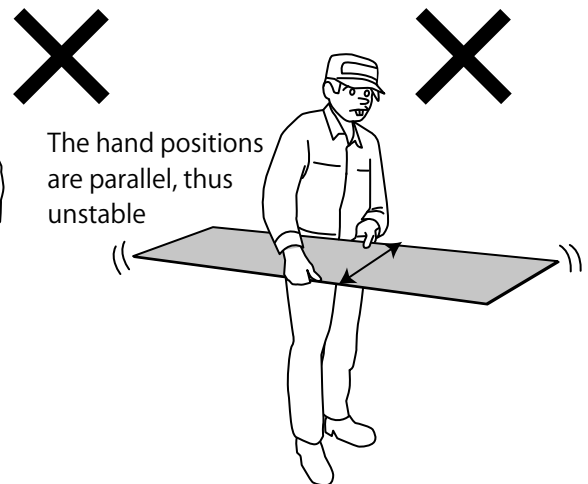
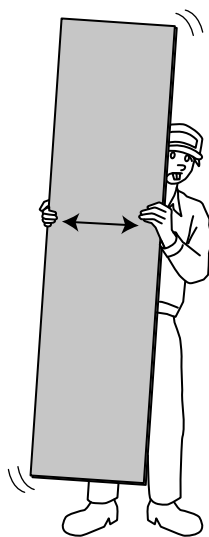
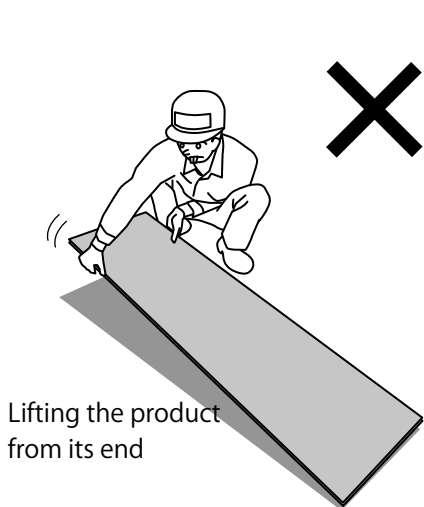
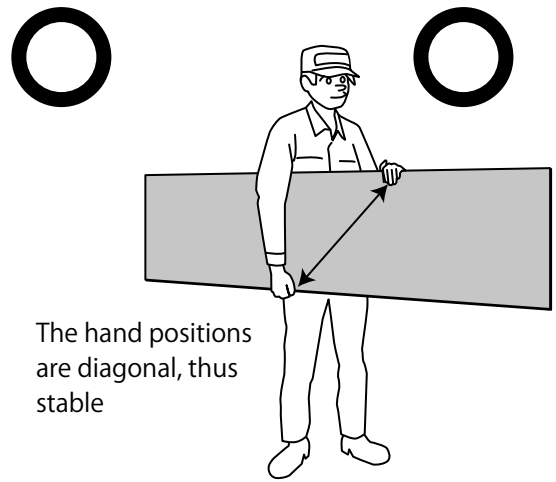
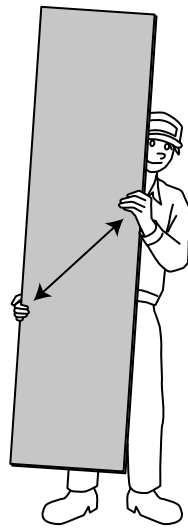
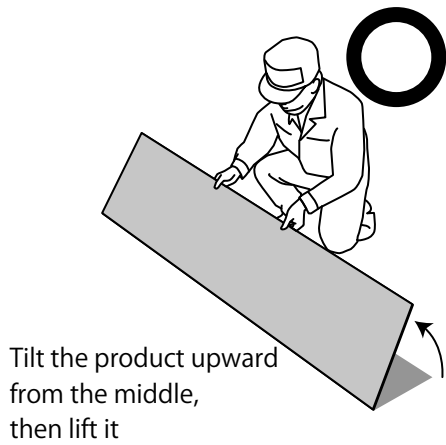
 <p>Caution</p>	<h2>How to Lift and Carry Gravio Edge</h2> <p>There is a risk of Gravio Edge being damaged due to the way it is held and carried, so please handle it in accordance with to the following precautions.</p>
---	--

- When lifting and carrying Gravio Edge, raise and handle the product in the manner shown in the following drawings.
 - Do not hold the product from its end. Be careful, as the product may bend and break.
 - Hold the product carefully with your hand positions diagonal.
- If the product is held with the hand positions parallel, it may bend and break, so handle with care.

Lifting method

Carrying method



Non Combustible Decorative Interior Wall Panel Gravio Edge



Installation Manual

For contractors

Table of Contents

1. Safety Precautions	P. 1	7-1. Fitting the Aluminum Trim	P. 6
2. Precautions for Storage and Handling	P. 1	7-2. Fitting the Resin Members	P. 7
3. List of Parts	P. 2	8. Installing Spacers	P. 8
4. Preparing the mounting surface	P. 3	9. Installing with Window Frame /	Pp. 9 - 11
5. Installing Gravio Edge	P. 3	Fittings / Recessed Wall Storage	
6. Construction Procedures	P. 4	10. Installing with Storage	P. 12
		11. Warranty Information	Pp. 16 - 18

“Requests to contractors”

This Installation Manual includes an “Owner's Manual” for the property owner which contains important information on the safe and correct use of this product, and its maintenance. Make sure to give a copy of the Owner's Manual to the property owner.

■ This document describes important information related to construction.

Carefully read this Installation Manual and closely following the procedures when installing.


(Instruction manuals can also be downloaded from our website: <https://interra-usa.com>)

■ When disposing of Gravio Edge, please follow local guidelines.

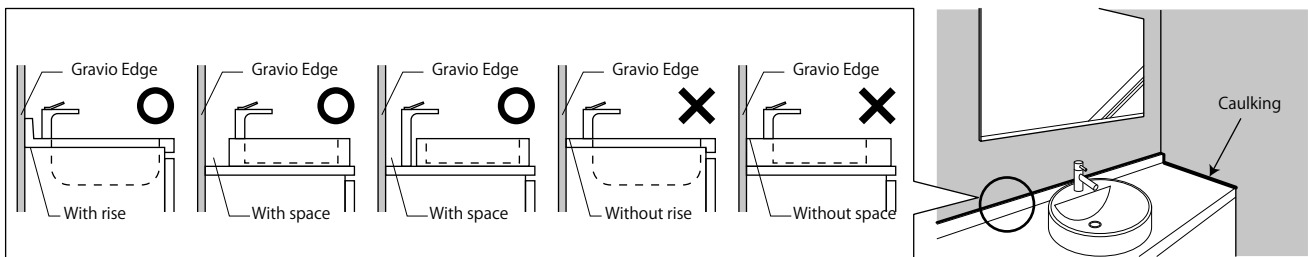


1. Safety Precautions

Follow these precautions for safety

 Caution	Incorrect handling can lead to injury, and/or property damage
--	--

- We recommend having Gravio Edge installed by a contractor.
- When processing Gravio Edge, take countermeasures to protect against dust, carefully check the precautions in the instruction manuals of the tools you use, and carry out the processing safely. Wear protective masks (N 95 level is recommended), protective gloves, and protective eyewear, as necessary.
- When opening the Gravio Edge product package, make sure to check the product for scratches, splits, damage, etc. before processing.
- There are cases where the cut surfaces of Gravio Edge become sharp, so to avoid injury in such cases, it is necessary to use sandpaper or the like to smooth out the cut surfaces.
- Suitable backing member materials for installing Gravio Edge are drywall and plywood. Finish the joints of the backing members smoothly, ensuring a completely flat surface. Gravio Edge cannot be installed over cloth.
- Do not install Gravio Edge on alkaline base materials, such as concrete, or in areas where there is a risk of exposure to wetness from rain or water leakage, condensation, etc.
- Do not install Gravio Edge in areas where it is directly exposed to flames or high temperatures.
- When installing Gravio Edge, be sure to use a modified silicon adhesive and pin nails; or a modified silicon adhesive with double-sided foam (1 mm thickness) tape, and to ensure that it is attached with adequate strength to prevent it falling off.
- About 24 hours are required for the adhesive to cure. Caution is necessary, as during that period, jarring or shaking the installed panel may shift the panel's position, or cause it to fall off the wall.
- When handling Gravio Edge, be sure to take adequate measures to protect the surface. There is a risk of scratching and marring.
- Gravio Edge is a general purpose interior wall panel. Be sure to check the product type and installation location beforehand. Do not use Gravio Edge for "applications other than walls (i.e., ceilings, counters, bay windows, window frames, etc.)", "places subject to frequent water splashing", "places subject to frequent water puddling", "kitchen backpanels", "outdoors", etc. Gravio Edge may not be able to withstand extreme environments such as "factory interiors or commercial kitchens".




When installing in places like entrance ways or the like where the floor may become wet, install Gravio Edge 50 mm or more above the floor to prevent it from coming into contact with water.

■ Bear in mind that Gravio Edge has an uneven front surface, and cannot hold screws, so it is not possible to directly mount equipment or the like on it. Such as wall-mounted TVs, handrails, counters, decorative shelves, storage units, cabinets.

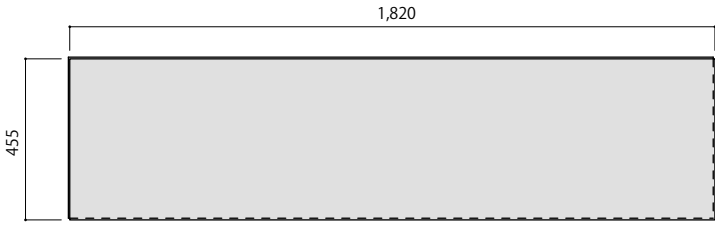
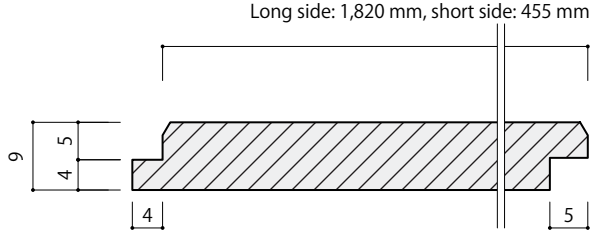
*When you want to install equipment or the like, install at least 9 mm thickness plywood instead of Gravio Edge, and mount the equipment to that.


2. Precautions for Storage and Handling


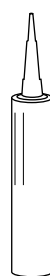
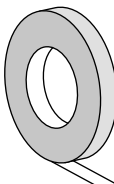
 Caution	<ul style="list-style-type: none"> ■ Do not leave stacked or stored outdoors in the open air, or leaning against a wall. There is a risk of deformation. ■ Store stacked flat, indoors and away from exposure to direct sunlight or wetness. ■ If left sitting for a long time after opening the package, there is a risk of deformation, so install the product soon after opening. ■ When transporting, do not bring the periphery of the product into contact with anything. There is a risk of damage. ■ Be especially careful of the tongue portions of Gravio Edge when handling. There is a risk of damage and injury.
--	--

3. List of Parts

■ Main unit

○Front view		○Cross-sectional view/real shape		
				
Dimensions/ Contents	Thickness: 9 mm, (H x W) 455 x 1,820 mm	Contents: 2 panels	Specifications	Base material: Dai-Lite, Edge finish: Peripheral shiplap, Surface: Specialized multicolor coating

	<p>Caution Modified silicon adhesive (with either specified pin nails or specified double-sided padded tape) must be used when installing Gravio Edge.</p>
---	---

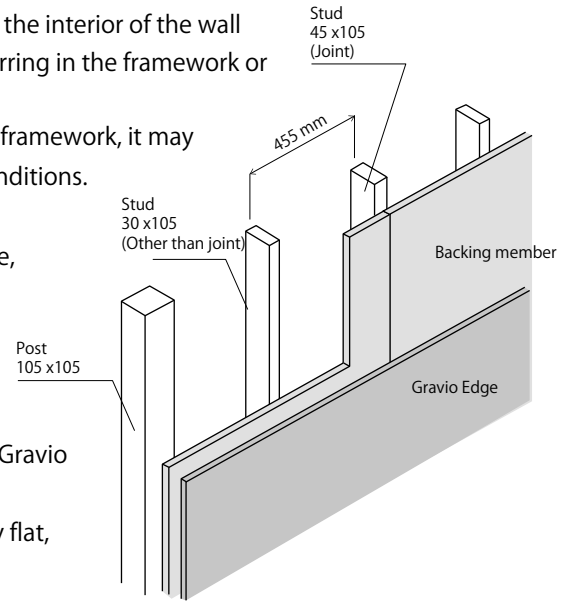
Product Name:	Modified Silicon Adhesive	Double-sided padded Tape	Caution 
Specifications	 <p>Volume: 300 ml/cartridge (approx.)</p> <p>Estimated usage of 2 panels per cartridge</p>	<p>Double-sided foam tape, at least 20mm wide, 1.0 mm thick</p> 	<p>When prioritizing the texture, etc., of the design, we recommend using the aluminum members. However, because the sink depth is shallow, the fitting becomes tight, so attention to detail is necessary. When prioritizing workability, we recommend using the fitting-type resin members.</p>

4. Preparing the Wall Backing Member



Caution

- Install Gravio Edge directly to a standard drywall system such as gypsum board. Do not install directly to studs or furring strips, or a concrete base material may cause flaws such as surface irregularities to occur.
- Do not adopt a construction such that air from outside flows into the interior of the wall framework. That can be a cause of flaws such as condensation occurring in the framework or Gravio Edge.
- If there is rain leakage, water leakage or condensation, etc, in the framework, it may cause flaws to occur in Gravio Edge, so do not install under such conditions.
- Use plywood with a thickness of 9 mm or more, or drywall as the backing members. When attaching a storage unit to the wall surface, plywood with a thickness of 12 mm or more must be used. In that case, drywall cannot be used.
- Design the layout so that the joints of the backing members are over studs or furring strips, and that steps are not formed.
- Design the layout so that the joints of the backing members and Gravio Edge do not overlap.
- It is vital that the wall backing member be smooth and absolutely flat, otherwise Gravio will not adhere properly.

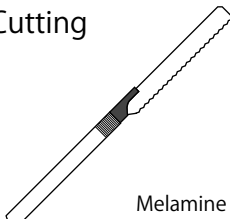
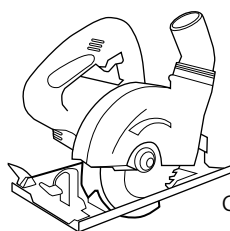
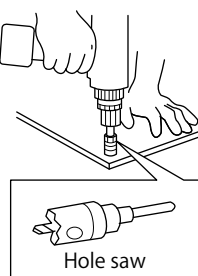
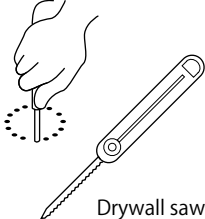

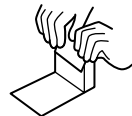
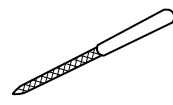
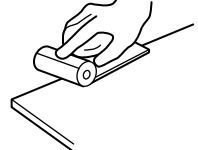
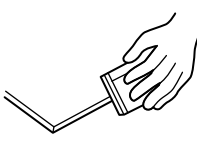
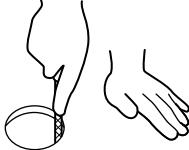
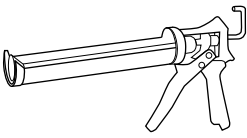
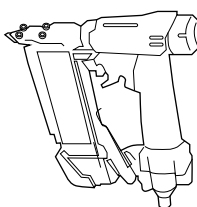
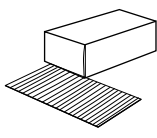


5 Installing Gravio Edge



Caution

- Inhalation of large amounts of dust generated by cutting, grinding and other processing over a long period of time poses a risk to health. Be sure to implement adequate dust protection measures. Also, wear dust protective (at least N95) masks, protective gloves, and protective eyewear, as necessary. After processing, wash your hands and gargle.
- When installing, carry out the processing surely following the precautions of the usage instruction of the tools used.
- There are cases where the cut surfaces of Gravio Edge become sharp, so to avoid injury in such cases, it is necessary to use sandpaper or the like to smooth out the cut surfaces.
- When handling Gravio Edge, take adequate measures to protect the surface. There is a risk of scratching and marring.
- Be careful of burrs, chips and the like generated at portions that are subjected to cutting or hole opening processing, as they can be a cause of splitting in the surface or underlayment. To prevent cut surfaces from becoming rough, perform cutting and hole opening after carrying out processing to provide prepared holes.

<p>Cutting</p>  <p>Melamine saw</p> <p>When cutting with a hand saw, be careful not to chip the board at the end of your cut.</p>  <p>Circular saw</p> <p>When cutting with the circular saw, use a hardened-tip saw blade or a diamond blade.</p>	<p>Hole-cutting, cut-outs</p>  <p>Hole saw</p>  <p>Drywall saw</p> <p>After drilling a hole with a drill, use a drywall saw to cut the hole.</p>
<p>Finishing</p>  <p>Sanding block</p>  <p>Sandpaper (#120)</p>  <p>Round file</p>   	<p>Attaching</p>  <p>Caulking gun</p> <p>Use a caulking gun to apply the adhesive.</p>  <p>Pin nailer</p> <p>Use pin nails sized: Head: 0.6 mm, Length: 35 mm or more</p>  <p>Pin nails</p>

6-1. Construction Procedures

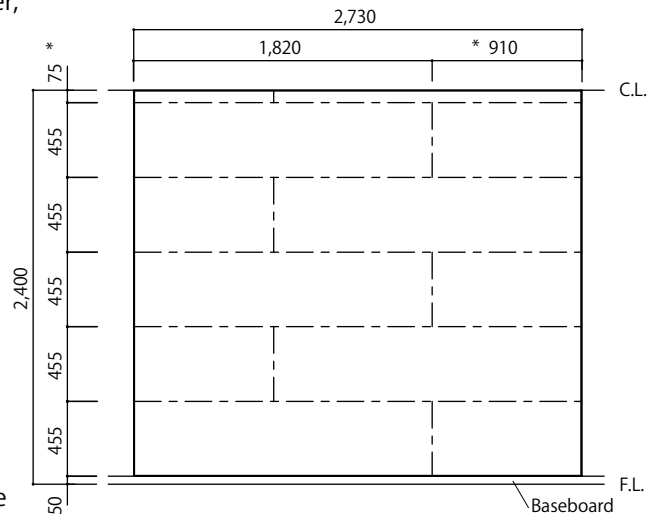
[With adhesive and pin nails]

(1) Cleaning and layout

- Smooth out any protrusions on the surface of the backing member, and clean the backing members and Gravio Edge.
- Mark the panel layout with chalk lines on the backing members.
- When marking the layout with chalk lines, pay close attention to the vertical and horizontal.
- If the width of the wall you are working on is 1,820 mm or more, allow the end piece to be about 15 mm.
- Design the layout so that the joints of the backing members and the joints of Gravio Edge do not overlap.

[Layout example]

*Design the layout so that the end member width is 30 mm or more.



(2) Installing the baseboard and edge members

- When installing the baseboard and edge members, use both modified silicon adhesive and finish nails.
- (For details on the installation of each component, see the respective drawings.)

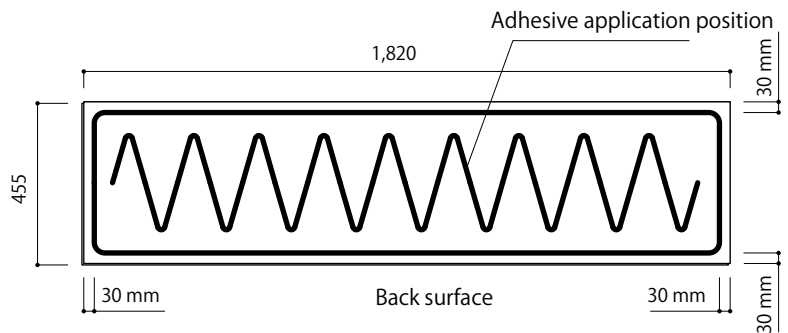
(3) Cutting Gravio Edge

- Using a circular saw or a hand saw (melamine saw), cut Gravio Edge from the rear side according to the layout dimensions.
- To protect the surfaces, before starting the work, spread a padding material in the workspace.

(4) Apply adhesive

- Apply modified silicon adhesive to the back surface of Gravio Edge, as shown in the illustration. Apply so that the bead width of the adhesive is about 7 mm. Leave about a 30 mm space open around the periphery when applying.

- Estimated adhesive amount:
2 Gravio Edge panels processed per cartridge (333 ml)

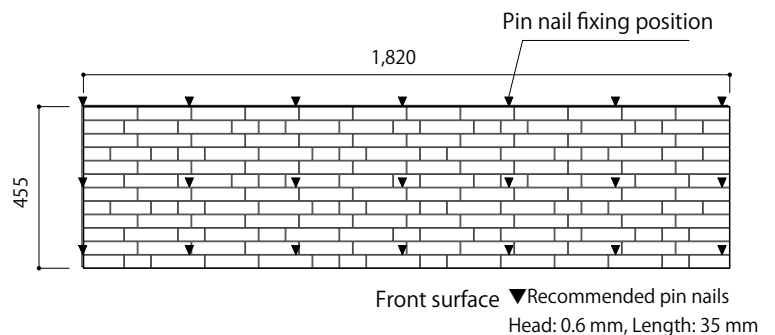


(5) Installing Gravio Edge

- Mount the panel aligned with the reference line. The tongue portions are easily damaged, so handle with care when processing.
- We recommend you start by applying the panels from the bottom side and work your way up. When processing panels away from the floor, use supports for the weight of the product until the adhesive sets.
- Align the tongue portions and gently engage.

(6) Pin nail setting

- Fix Gravio Edge with pin nails at about a 300 mm interval, as shown in the drawing. If you shoot the pin nails in at a diagonal, the board will be firmly fixed in place. If you fix the nail at the tongue or bottom groove portion, it becomes difficult to see any trace of the nail, for a beautiful finish.



(7) Curing

- Allow ample curing time for the adhesive to set. Be careful not to jar or jolt the panels or splash water on it during curing.
- When the panel surface becomes damaged or chipped, repair it using a commercially available caulking similar in color.

6-2. Construction Procedures [With adhesive and double-sided tape]

(1) Cleaning and layout

- Smooth out any protrusions on the surface of the backing member, and clean the backing member and Gravio Edge.
- Mark the panel layout with chalk lines on the backing members.
- When marking the layout, pay close attention to the vertical and horizontal.
- If the width of the wall you are working on is 1,820 mm or more, install the panels staggered in a brick pattern.
- Design the layout so that the joints of the backing members and the joints of Gravio Edge do not overlap.

(2) Installing the baseboard and edge members

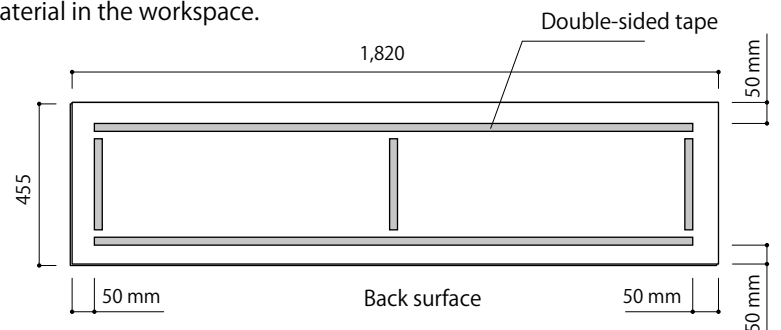
- When installing the baseboard and edge members, use both adhesive (modified silicon adhesive) and finish nails.
- (For details on installation of each component, see the respective drawings.)

(3) Cutting Gravio Edge

- Using a circular saw or a hand saw (melamine saw), cut Gravio Edge from the rear side according to the layout dimensions.
- To protect the surfaces, before starting spread a padding material in the workspace.

(4) Attaching the double-sided tape

- Apply the double-sided padded tape to the back of the Gravio Edge panel, as shown in the drawing, and press down on the tape to firmly attach it.



(5) Apply adhesive

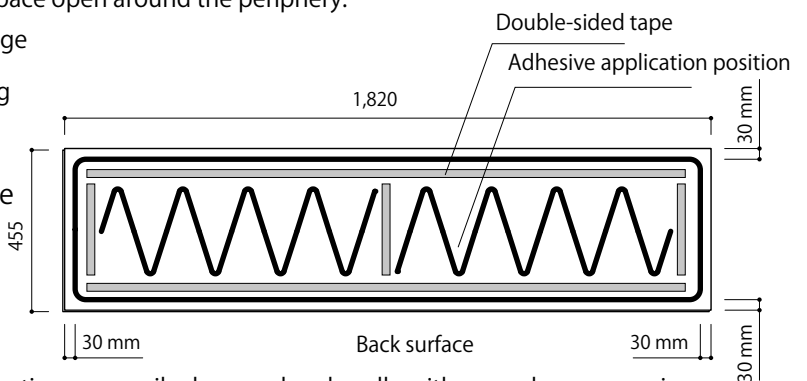
- Apply Modified Silicon Adhesive to the back surface of Gravio Edge, as shown in the illustration. Apply so that the bead width of the adhesive is about 7 mm. Leave about a 30 mm space open around the periphery.

Estimated adhesive amount: 2 Gravio Edge panels per cartridge (333 ml)

*Depending on the shape of the room and the position being processed, there are cases in which it is preferable to apply double-sided tape and adhesive to the wall backing side.

(6) Remove the release paper of the double-sided tape

- Peel the release paper off of the double-sided tape.



(7) Installing Gravio Edge

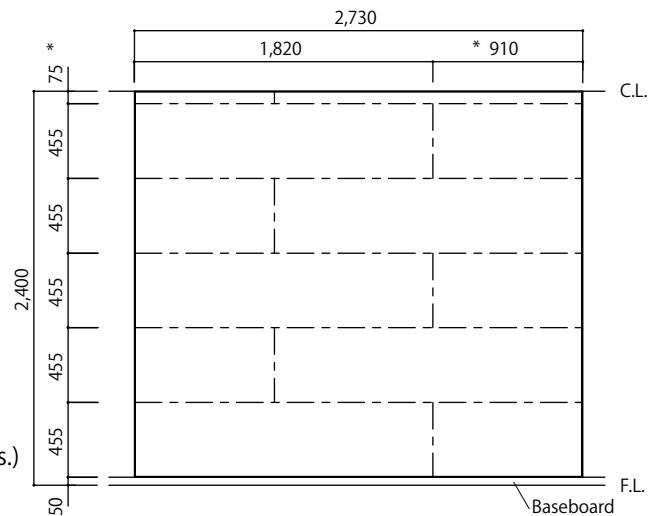
- Mount the panel aligned with the chalk line. The tongue portions are easily damaged, so handle with care when processing.
 - We recommend you start by applying the panels from the bottom side and work your way up. When processing away from the floor, use a scrap wood batten or the like to support the weight of the product until the adhesive cures.
 - While gently pressing the part of the panel where double-sided tape has been applied, adjust the attachment position of Gravio Edge. (If the double-sided tape attaches tightly due to pressure, it won't be possible to adjust the position.)
- After setting the position, press hard on the part where double-sided tape has been applied.
(If you press on the part where the adhesive has been applied sufficient adhesive force may not be achieved.)
- Align the tongue portions and gently engage them.

(8) Curing

- Allow ample curing time for the adhesive to set.
- Be careful not to jar or jolt the member or splash water on it during curing.
- When the surface becomes damaged or chipped, repair it using a commercially available caulking similar in color.

[Layout example]

*Design the layout so that the end member width is 30 mm or more.

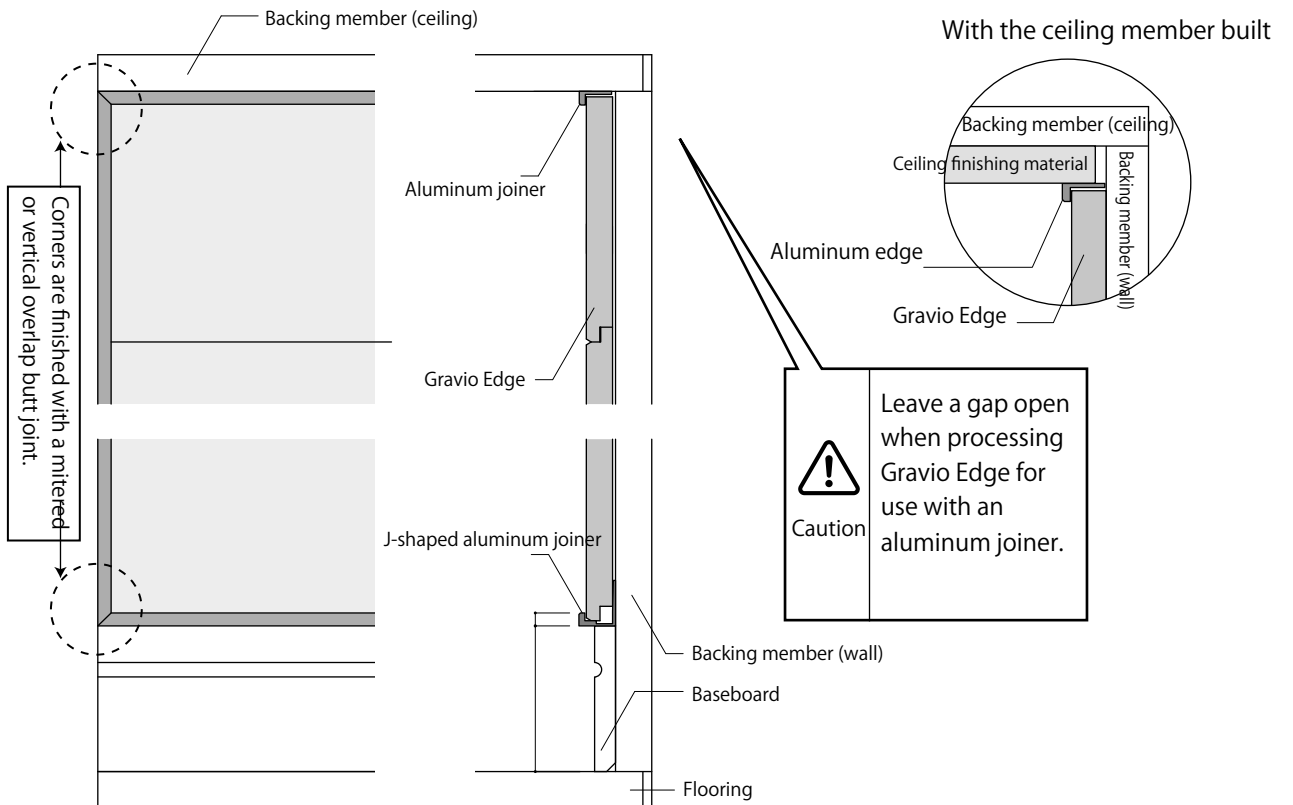
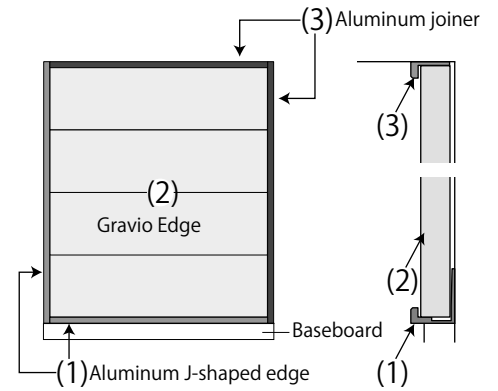


7-1. Fitting the Aluminum Members

Installing in areas adjacent to floor/ceiling/inside corners

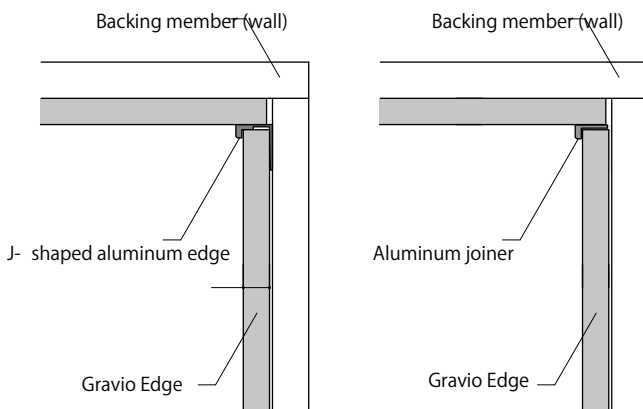
■ Carry out work on the dedicated construction members using both Modified Silicon Adhesive and finish nails.

*When installing in areas adjacent to floor/ceiling/inside corners, (1) trim only 2 sides (the bottom end and right or left) with a J-shaped aluminum joiner, (2) then process Gravio Edge, and (3) lastly, trim the remaining 2 sides with aluminum joiners.

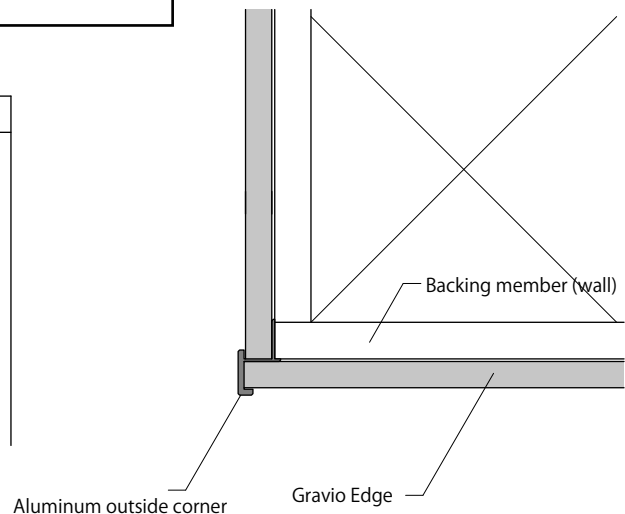


Inside corner installation

Caution When the installation of an inside corner is the final construction procedure, finish it with aluminum joiners.



Outside corner installation



7-2. Fitting the Resin Members

■ Process the dedicated construction members (base members) using both adhesive (modified silicon adhesive) and finish nails.

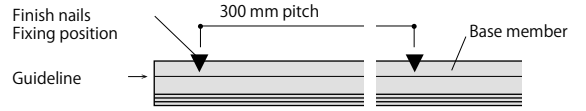
■ The resin members are of the fitting type, so after finishing work on the base members, process Gravio Edge, then attach the cover member.

To attach the cover member, apply the included adhesive (EVA) to several spots and fix the cover member in place.

■ Leave a gap for attaching the cover member between the base member and Gravio Edge.

■ Regarding the bottom part, we recommend carrying out the work on Gravio Edge after attaching the cover member.

J-shaped resin joiner, base member

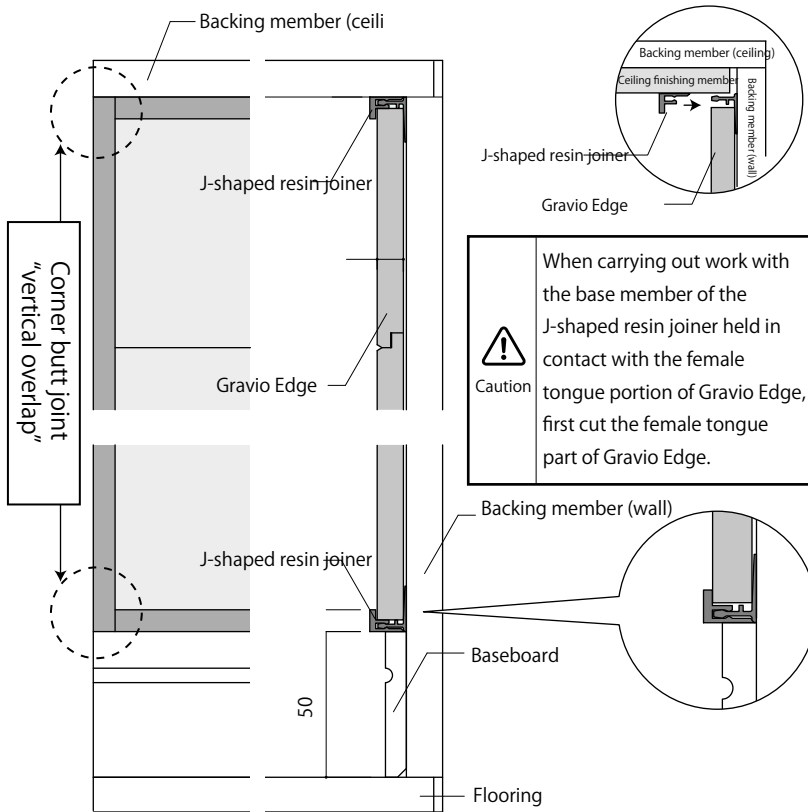


Installing in areas away from floor/ceiling/inside corners

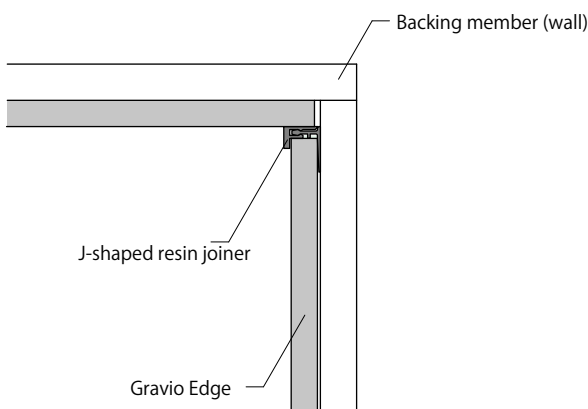
 Caution	To prevent interference with the corner cover, offset the base member of the J-shaped resin joiner and the cover by about 15 mm.
-------------	--

Installing in areas adjacent to floor/ceiling/inside corners

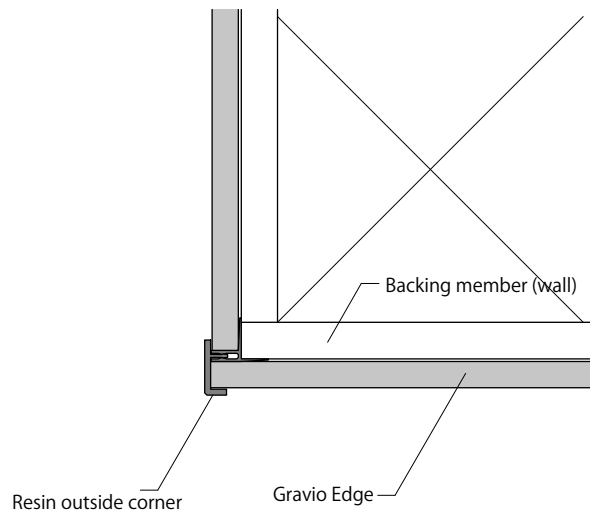
With the ceiling member built



Inside corner Installation



Outside corner installation



8. Installing Spacers

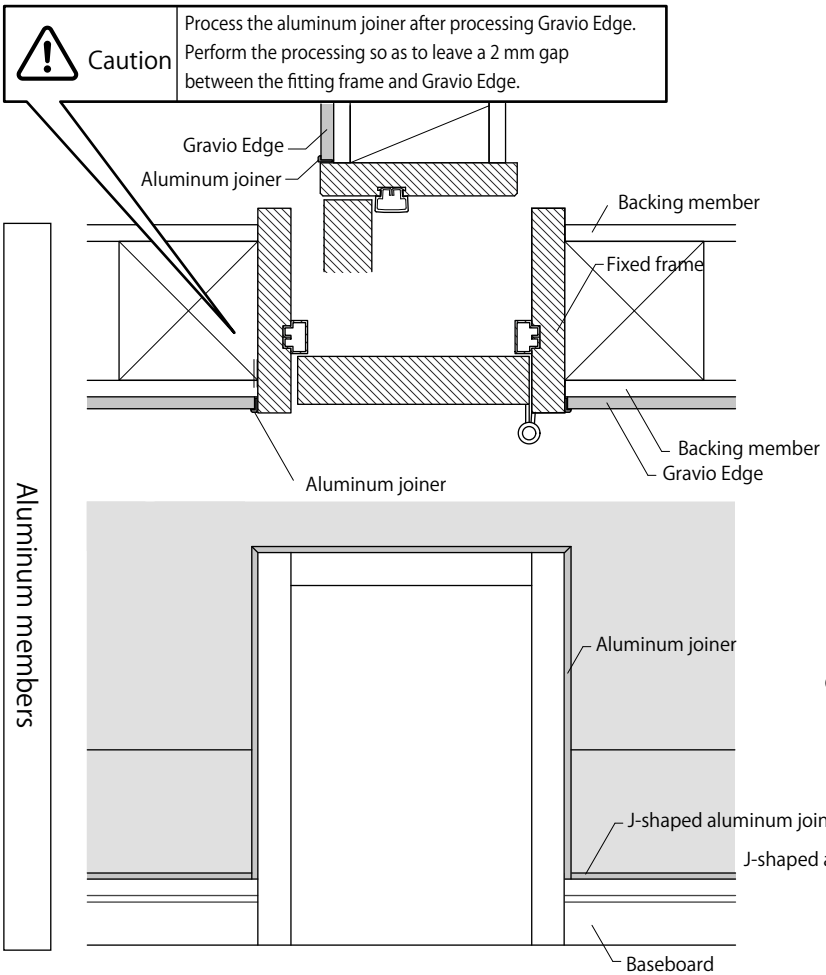
For North America, prior to installations of the ABS spacers verify with the Authority Having Jurisdiction (AHJ) whether the ABS spacers shown are acceptable for installation. If the ABS spacers are not allowed disregard the spacer installation as shown and replace the spacers with NEC and/or UL approved adjustable depth mud rings.



Caution

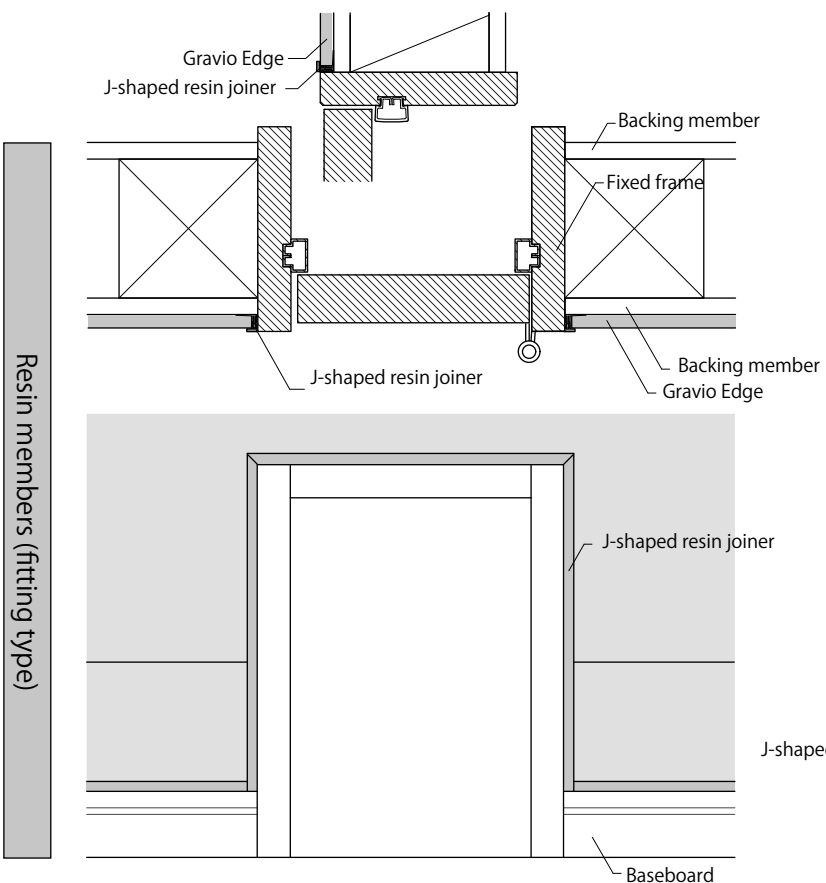
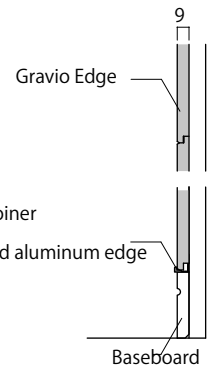
Use plywood with a thickness of 9 mm or more, or drywall with a thickness of 9.5 mm or more as the backing members when installing a bracket. Do not apply a bracket directly to Gravio.

9-1. Installing around Window Frames/Fittings/Recessed Wall Storage [Fixed frame] Drawings show the fixed frame of a single swing door



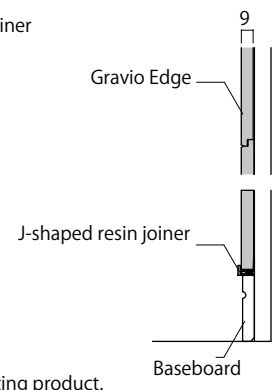
Construction procedures

- (1) Process the backing members and the fitting frame.
- (2) Process the baseboard.
- (3) Install the J-shaped aluminum joiner over the baseboard.
- (4) Process Gravio Edge so as to leave a 2 mm gap with the fitting frame.
- (5) Apply modified silicon adhesive and install the aluminum joiners.



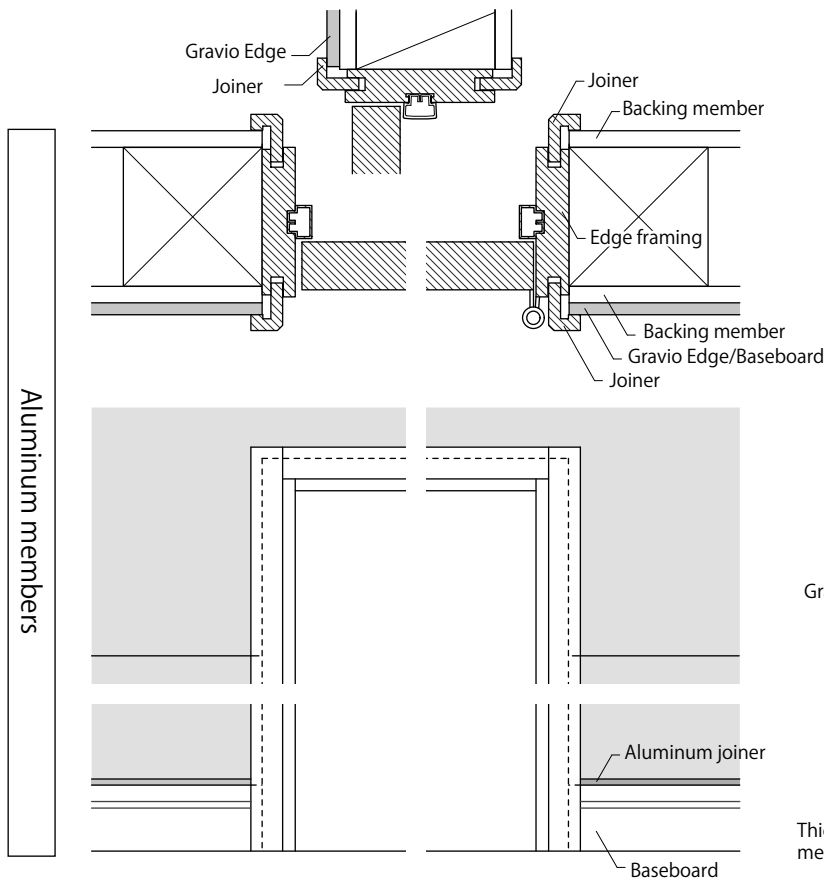
Construction procedures

- (1) Process the backing members and the fitting frame.
- (2) Process the baseboard.
- (3) Trim the top of the base member and fitting frame with the J-shaped resin joiner base member.
- (4) Process Gravio Edge.
- (5) Apply the adhesive included with the J-shaped resin joiner cover member at several spots and install the J-shaped resin joiners.



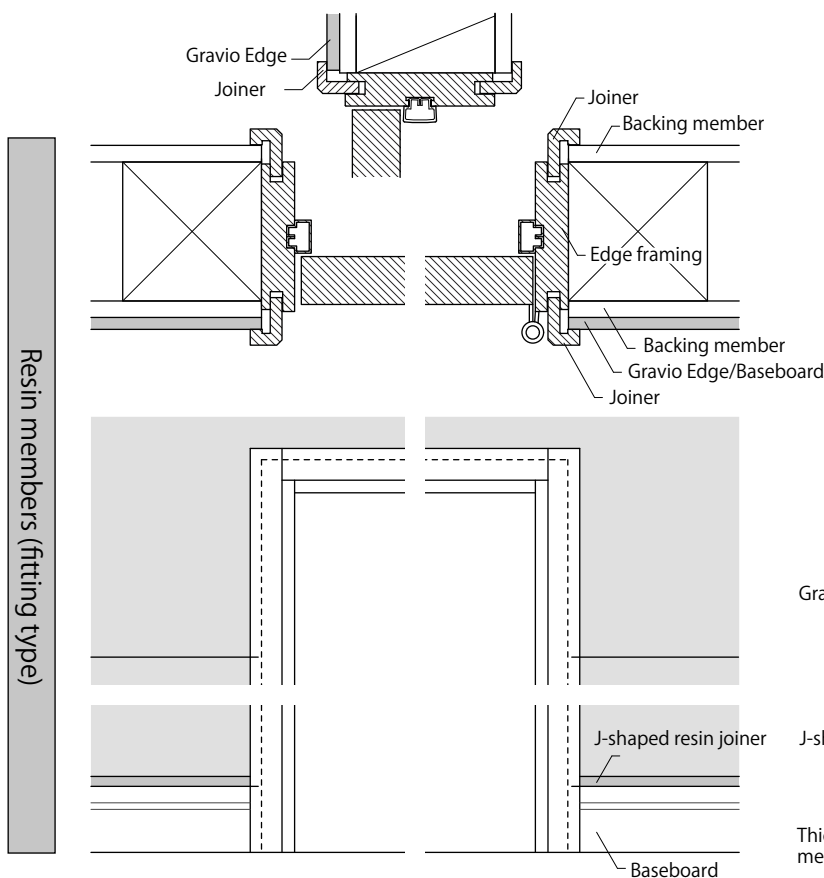
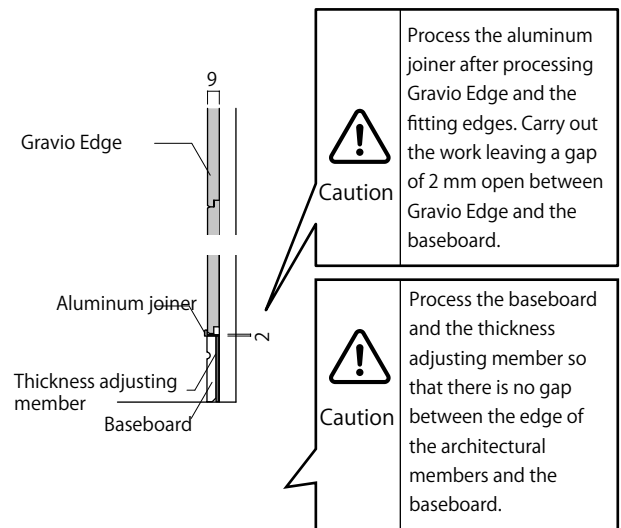
*For the method of processing the fitting frame, refer to the instruction manual of the fitting product.

When installing Gravio Edge so as to cover a fitting's edges [Edge framing]



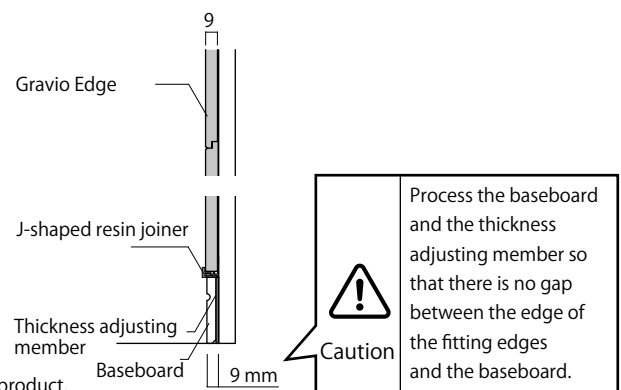
Construction procedures

- (1) Process the backing members and the fitting frame.
- (2) Process the baseboard.
- (3) Process Gravio Edge so as to leave a 2 mm gap with the baseboard.
- (4) Process the fitting edges (joiner).
- (Adjust the leg length of the joiner, as necessary)
- (5) Apply Modified Silicon Adhesive and install the aluminum joiner.



Construction procedures

- (1) Process the backing members and the fitting frame.
- (2) Process the baseboard.
- (3) Trim the top of the base member with the J-shaped resin joiner base member.
- (4) Process Gravio Edge.
- (5) Process the fitting edges (joiner).
- (6) Apply the adhesive included with the J-shaped resin joiner cover member at several spots and install the J-shaped resin joiner.

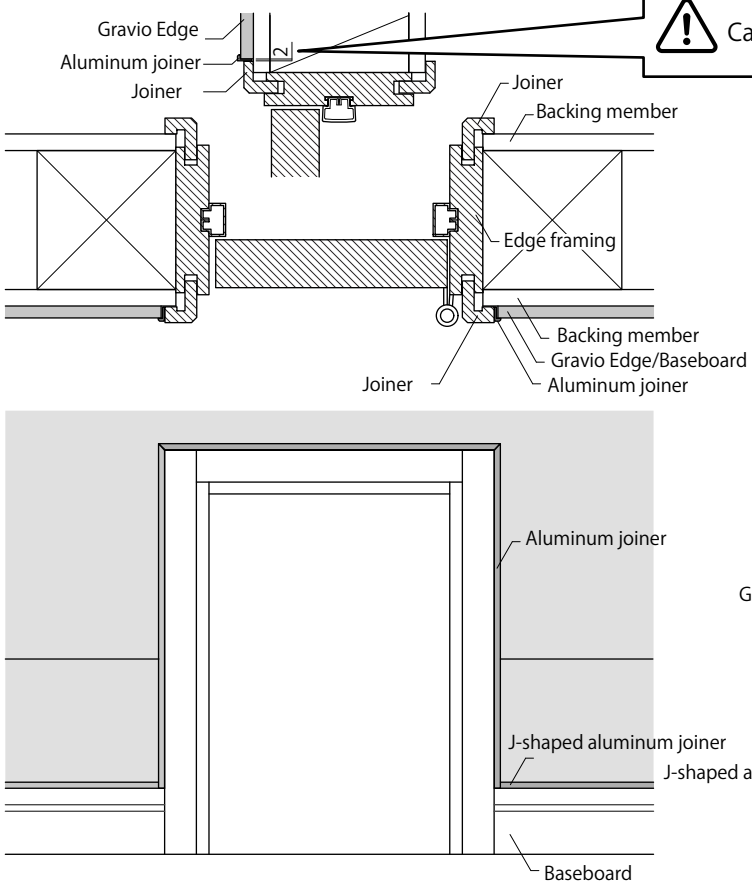


*For the method of processing the fitting frame, refer to the instruction manual of the fitting product.

When installing Gravio Edge so as not to cover a fitting's edges

Caution Process the aluminum joiner after processing Gravio Edge. Perform the processing so as to leave a 2 mm gap between the architectural edges and Gravio Edge.

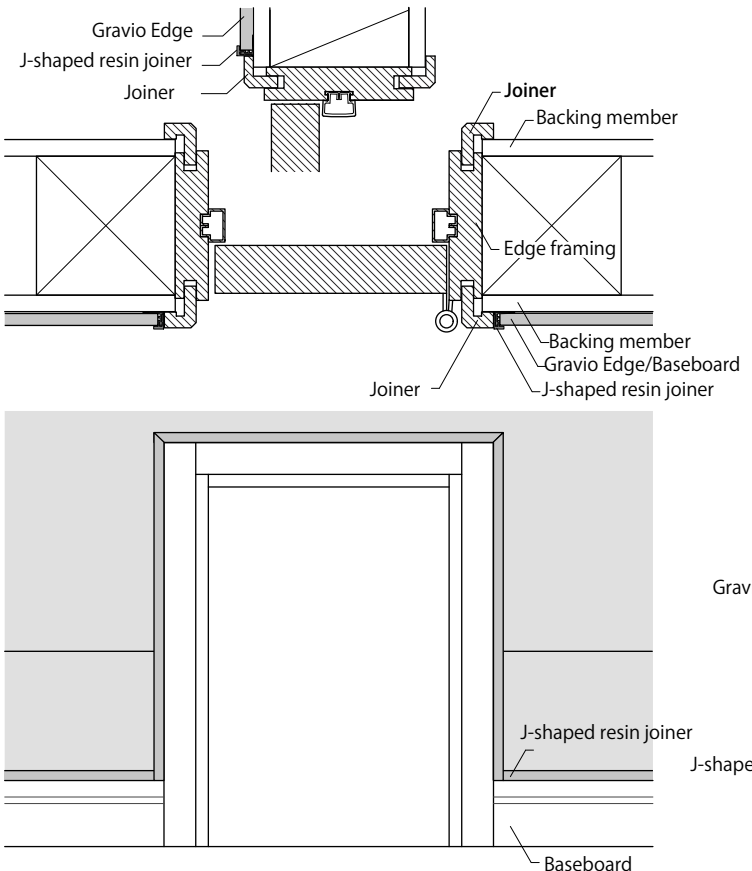
Aluminum members



Construction procedures

- (1) Process the backing members and the fitting frame.
- (2) Process the baseboard and architectural edges (joiner).
- (3) Install the J-shaped aluminum joiner over the baseboard.
- (4) Process Gravio Edge so as to leave a 2 mm gap with the architectural edges.
- (5) Apply modified silicon adhesive and install the aluminum joiner.

Resin members (fitting type)



Construction procedures

- (1) Process the backing members and the fitting frame.
- (2) Process the baseboard and architectural edge (joiner).
- (3) Trim the top of the base member and periphery of the architectural edges with the J-shaped resin joiner base member.
- (4) Process of Gravio Edge.
- (5) Apply the adhesive included with the J-shaped resin joiner cover member at several spots and install the J-shaped resin joiner.

*For the method of processing the fitting frame, refer to the instruction manual of the fitting product.

10. Installing with Cabinets and Shelving

	Cross-sectional view of installation	Construction procedures
<p style="writing-mode: vertical-rl; transform: rotate(180deg);">- Floor-standing construction</p> <p style="writing-mode: vertical-rl; transform: rotate(180deg);">Cabinet unit</p>		<p>(1) Process Gravo Edge. (2) Fix the storage unit in place.</p> <div style="border: 1px solid black; padding: 5px;"> <p>Caution ⚠️</p> <ul style="list-style-type: none"> When a storage unit is to be fixed directly over Gravo Edge, a float construction floated above the floor cannot be used. There is a chance of Gravo Edge deforming under the weight. </div> <div style="border: 1px solid black; padding: 5px;"> <p>Caution ⚠️</p> <ul style="list-style-type: none"> When mounting equipment, install plywood with a 9mm thickness at the mounting position, instead of installing Gravo Edge. </div> <div style="border: 1px solid black; padding: 5px;"> <p>Caution ⚠️</p> <ul style="list-style-type: none"> Aluminum and J-shaped resin joiners cannot be installed in the gap between Gravo Edge and the baseboard of the back side of the storage unit. </div>
<p style="writing-mode: vertical-rl; transform: rotate(180deg);">Cabinet unit - wall mounted</p> <p style="writing-mode: vertical-rl; transform: rotate(180deg);">When processing the storage unit after processing Gravo Edge</p>	<p>Recommended construction</p>	<p>(1) Lay out the position of the storage unit. (2) Install 9 mm thickness reinforcement plywood with screws or adhesive on the 10 mm interior periphery from the installation part of the storage unit inward. (3) Process of Gravo Edge. (4) Fix the storage unit in place.</p> <div style="border: 1px solid black; padding: 5px;"> <p>Caution ⚠️</p> <ul style="list-style-type: none"> Procure reinforcement plywood (9 mm thickness) locally. To prevent the screws fixing the reinforcement plywood from interfering with the storage unit, fix the screws at least 70 mm from the end of the plywood. This construction method must be used for sinks and the like requiring horizontal and vertical accuracy. *There is a risk of water damage, etc, to the framework and wall due to unevenness of the wall. </div>
<p style="writing-mode: vertical-rl; transform: rotate(180deg);">When processing the storage unit after processing Gravo Edge</p>		<p>(1) Fix the cabinet or shelf in place.</p> <ul style="list-style-type: none"> Aluminum joiners or J-shaped resin joiners are installed at portions where Gravo Edge and the cabinet come in contact. (For the joiner installation method, see pp. 5-6) <p>(3) Process of Gravo Edge.</p> <div style="border: 1px solid black; padding: 5px;"> <p>Caution ⚠️</p> <ul style="list-style-type: none"> Do not the install Gravo Edge using butt construction. That can be a cause of edge defects, etc. Dedicated joiners must be fitted. There are float constructions with support sheathing and without support sheathing. Check the storage unit installation manual in advance. </div>
<p style="writing-mode: vertical-rl; transform: rotate(180deg);">Shelving</p>		<p>(1) Process Gravo Edge. (2) Fix the fitsshelf in place.</p> <div style="border: 1px solid black; padding: 5px;"> <p>Caution ⚠️</p> <ul style="list-style-type: none"> Fix the L-shaped metal fittings at a position (30 mm or more) away from the end of Gravo Edge. They can cause edge defects, etc. </div>

Non Combustible Decorative Interior Wall Board

Gravio Edge



“Request to Our Customers”

Thank you for purchasing our products.

This Instruction Manual contains important information on the safe and correct use of this product, and its maintenance.

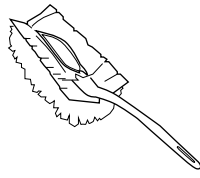
When using our products, please be sure to carefully read this Instruction Manual and follow the instructions.

(Instruction manuals can also be downloaded from our website: <https://www.interra-usa.com>)



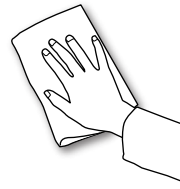
Daily maintenance methods and precautions

■ To maintain this product in a clean state, periodically remove dust accumulated on the surface or grooved portions by lightly dusting it off with a handy mop.

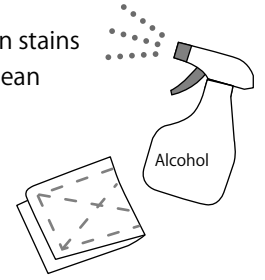


Handy mop

■ Wipe the stain clean with a dry mop, damp cloth, or diluted neutral detergent.

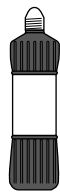


■ Hard to clean stains
Lightly wipe clean with alcohol.



Caution

- If the surface is soiled, quickly wipe the dirt off with a soft cloth, paper towel or the like.
- Do not use acidic detergent, alkaline detergent, chlorine bleach, or thinner. There is a risk of staining, discoloring or damaging the pattern.
- There are cases where it is difficult to clean stubborn stains or remove dirt that has been adhered for a long time.
- Do not use a soiled cloth, rag or the like for cleaning. That may result in making the staining even worse.
- When wiping away dirt, be sure not to rub with strong force. There is a risk of damaging the surface.
- Steel wool, cleaner, melamine sponges, tooth brushes and the like will damage the surface, so absolutely do not use them.



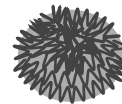
Acidic detergent



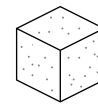
Alkaline detergent



Chlorine bleach



Steel wool



Melamine sponge



Cleanser

When soiled with a beverage (coffee, juice, etc.)

■ Quickly wipe it up with a dry cloth, paper towel or the like.

With the passage of time the stain will be harder to clean off.

■ If the stain dries, use a damp cloth or cloth moistened with a diluted neutral detergent, and wipe it clean.

When marked with a magic marker or crayon

■ Moisten a paper towel with alcohol and wipe the markings off.

When wiping of the marks, be careful not to rub with strong force. There is a risk of damaging the surface.

If any alcohol remains on the surface, there is a risk of staining, discoloration or pattern effacement, so be sure to wipe it all off.

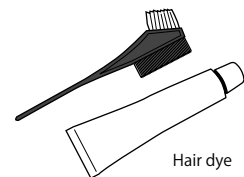
When soiled with hair dye, India ink or the like

■ Quickly wipe it up by blotting with a dry cloth, paper towel or the like.

If you rub it in, the soiled area of the surface may spread, so be careful not to rub it in.

■ Once it has been blotted dry, use a damp cloth or cloth moistened with a diluted neutral detergent, and wipe it clean.

■ With the passage of time the dye or ink soaks in and it will not be possible to clean the stain, so be careful not to let it soak in.



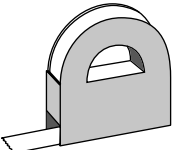



Hair dye

When the surface is scratched or damaged

■ Repair with caulking of a similar color or touch-up paint.

The original appearance will not be completely restored, so be careful not to scratch or mar the surface.

 Caution	<ul style="list-style-type: none">•Do not attach stickers, tape or double-sided tape, or stick thumbtacks or pins into the product. There is a risk of damage.•Do not mount towel hangers or hooks with double-sided tape. There is a risk of damage.•When installing a towel hanger or the like, have the contractor check the base materials and then mount to base material using appropriate fasteners.	   Double-sided tape Thumbtacks, pins
--	---	--

Note The dimensions of this product are subject to slight expansion/contraction with changes in humidity. At the seams, slight bulging or gaps may occur.

Disposal When disposing of this product, please follow local disposal guidelines.

Request to Customers For information about handling the product, repairs, and construction, please consult with your contractor or the retailer.

For inquiries about specifications and construction techniques

Interra USA Customer Center

+ 1-425-277-7850

Weekdays from 9:00 AM to 5:00 PM

Interra USA, Inc.
900 SW 16th St, Ste. 125
Renton, WA 98057 USA



LIMITED WARRANTY FOR GRAVIOEDGE

THIS LIMITED WARRANTY GIVES YOU SPECIFIC LEGAL RIGHTS AND YOU MAY ALSO HAVE OTHER RIGHTS, WHICH VARY FROM STATE TO STATE AND AMONG JURISDICTIONS.

THE LIMITED WARRANTY CAN ALSO BE FOUND ONLINE AT <https://interra-usa.com/wallpanel/>.

SUBJECT TO THE TERMS AND CONDITIONS SET FORTH HEREIN, INTERRA USA, INC. ("WE") WARRANT THAT DURING THE WARRANTY PERIOD, THE GRAVIO EDGE PRODUCT WILL BE FREE FROM DEFECTS IN MATERIALS AND WORKMANSHIP (THE "LIMITED WARRANTY").

WE LIMIT THE DURATION AND REMEDIES OF ALL IMPLIED WARRANTIES, INCLUDING WITHOUT LIMITATION THE WARRANTIES OF MERCHANTABILITY AND FITNESS FOR A PARTICULAR PURPOSE TO THE DURATION OF THIS EXPRESS LIMITED WARRANTY.

SOME STATES OR JURISDICTIONS DO NOT ALLOW LIMITATIONS ON HOW LONG AN IMPLIED WARRANTY LASTS, SO THE ABOVE LIMITATION MAY NOT APPLY TO YOU. OUR RESPONSIBILITY FOR DEFECTIVE PRODUCTS IS LIMITED TO REPAIR, REPLACEMENT OR REFUND AS DESCRIBED BELOW IN THIS WARRANTY STATEMENT.

Who May Use this Limited Warranty?

Interra USA, Inc. extends this Limited Warranty to the consumer who originally purchased the GravoEdge product ("you"). In the case of a contractor purchasing the GravoEdge product for installation in a customer project, this Limited Warranty will extend to the ultimate owner of such project ("you").

How Long Is the Warranty Period?

The warranty period for the GravoEdge product is two (2) years from (a) the date of product installation, or (b) the date when the building or unit containing the installed product is taken possession of, whichever occurs later ("Warranty Period"). The Warranty Period is not extended if we repair or replace the product. We may change the availability of this Limited Warranty at our discretion, but any changes will not be retroactive.

What Is Covered by this Limited Warranty?

The Limited Warranty extends to repair or replacement of manufacturing defects in the GravoEdge product occurring within the above Warranty Period timeframe. A manufacturing defect is one which can be traced back to the manufacturing process for which we are solely responsible. These are the only defects covered under the Limited Warranty. The defect may involve defective materials, or it may be a defect in workmanship. To obtain warranty service, please contact your retailer or distributor who sold you the GravoEdge product (see "How Do You Obtain Warranty Service" below) to place a warranty service request.

What is NOT Covered By This Limited Warranty?

The Limited Warranty is hereby expressly conditioned upon installation of the Gravo Edge product according to the proper procedures described in the Installation Manual and use of the product in normal environmental conditions and appropriate maintenance of the product in accordance with the provisions of the Installation Manual. The Limited Warranty does NOT cover:

- 1. Travel costs for repair or replacement work occurring outside of the Continental United States, Canada or Mexico;**
- 2. Defects caused by repair of the product by unauthorized persons;**
- 3. Damage intentionally caused to products by any person;**
- 4. Defects caused by architectural design or construction where the product is installed;**
- 5. Defects caused by the use of installation techniques and methods other than those described in the Installation Manual;**
- 6. Defects such as warping or splitting of product, and other defects caused by the surrounding environment or natural phenomena outside of normal environmental conditions set forth in the Installation Manual, including without limitation, natural disasters such as fires, earthquakes, floods, and avalanches, or environmental conditions such as pollution, salt damage, abnormally high/low temperatures, high humidity, or excessive dryness;**
- 7. Defects such as gaps, warping or creaking sounds in the product caused by the installation of the product in a room where the difference in relative humidity inside and outside of the room is extreme and in excess of the normal environmental conditions set forth in the Installation Manual;**
- 8. Defects due to installation of the product at a position where there is extreme alteration in the degree of humidity and/or the conditions become extremely hot and humid in excess of the normal environmental conditions set forth in the Installation Manual;**
- 9. Defects caused by deformation of the building itself, or renovations or other construction initiated after installation of the product;**
- 10. Defects caused by inappropriate use or maintenance of the product by the inhabitants or third parties not in accordance with the Installation Manual;**
- 11. Defects such as wear, abrasion, nailing/chipping or deformation of the product caused by usage not in accordance with the Installation Manual;**
- 12. Defects such as fading/discoloration, staining, rust/patina, mold, or deterioration of the product caused by wear and tear occurring over time;**
- 13. Intentional or inadvertent damage to products caused by usage of products other than for their intended use as set forth in the Installation Manual;**
- 14. Defects due to damage caused by small animals such as dogs, cats, birds, or rodents, or insects;**
- 15. Defects caused by phenomena unforeseeable at the time of manufacture of the product;**
- 16. Defects occurring or that are discovered after expiration of the Warranty Period; or**
- 17. Other defects not directly caused by Dallen Corporation and/or Intera USA, Inc.**

Please note that in cases where the product was delivered in a damaged state, you must contact your retailer or distributor who sold you the Gravo Edge product (see “How Do You Obtain Warranty Service” below) to place a warranty replacement request within thirty (30) days of delivery or else we reserve the right to refuse warranty service for the affected product. For all other warranty service requests for defects occurring after delivery and installation of the product

that are within the Warranty Period, please contact your retailer or distributor who sold you the Gravo Edge product as soon as possible after discovery of the defect to place a warranty service request

What Are Your Remedies Under this Limited Warranty?

With respect to any defective product accepted for warranty service during the Warranty Period, we will, in our sole discretion, repair or replace such product (or the defective portion thereof) free of charge within a reasonable amount of time, or provide a refund of the purchase price of the product (or the defective portion thereof). Product may be repaired or replaced at our discretion and any products subject to replacement become the property of Interra USA, Inc. Any additional work that you request will be at your sole expense

How Do You Obtain Warranty Service?

To obtain warranty service, please contact your retailer or distributor who sold you the Gravo Embossed Type product. If you need help finding a Gravo Embossed Type retailer or distributor, please contact our customer support via email at: info@interrausa.com

LIMITATION OF LIABILITY

THE REMEDIES DESCRIBED ABOVE ARE YOUR SOLE AND EXCLUSIVE REMEDIES AND THE ENTIRE LIABILITY OF INTERRA USA, INC. FOR ANY BREACH OF THIS LIMITED WARRANTY. INTERRA USA, INC.'S LIABILITY SHALL UNDER NO CIRCUMSTANCES EXCEED THE ACTUAL AMOUNT PAID BY YOU FOR THE DEFECTIVE PRODUCT, NOR SHALL INTERRA USA, INC. UNDER ANY CIRCUMSTANCES BE LIABLE FOR ANY CONSEQUENTIAL, INCIDENTAL, SPECIAL OR PUNITIVE DAMAGES OR LOSSES, WHETHER DIRECT OR INDIRECT.

SOME STATES OR JURISDICTIONS DO NOT ALLOW THE EXCLUSION OR LIMITATION OF INCIDENTAL OR CONSEQUENTIAL DAMAGES, SO THE ABOVE LIMITATION OR EXCLUSION MAY NOT APPLY TO YOU.