

# MODEL# 3257-CR

Print size check  
25.4mm(1")

122mm(4-13/16")

91,5mm(3-5/8")

20°

Water Flow Direction

## «Water Flow Landing Check Sheet»

1. Print the sheet with Letter Size paper.
2. Cut along the bold dotted lines.
3. Estimate the water flow landing area. ( See the right picture)

## «Water Flow Landing Check Sheet»

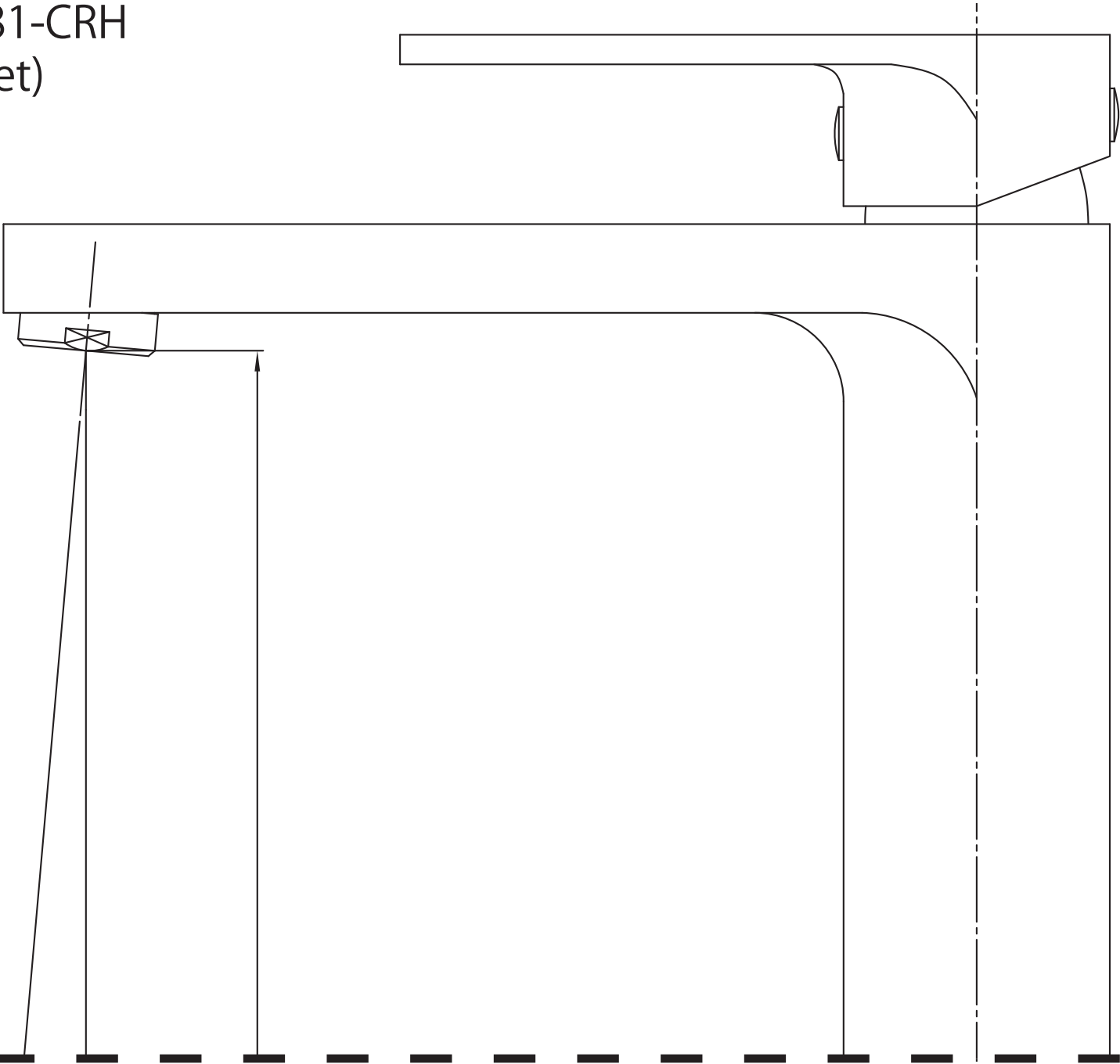
The landing point might be at an extension of the water flow direction.

Actual landing point and flow direction could be variable, due to installation conditions and production LOT.  
Please use this sheet as a reference.  
( It is out of warranty by SANEI)

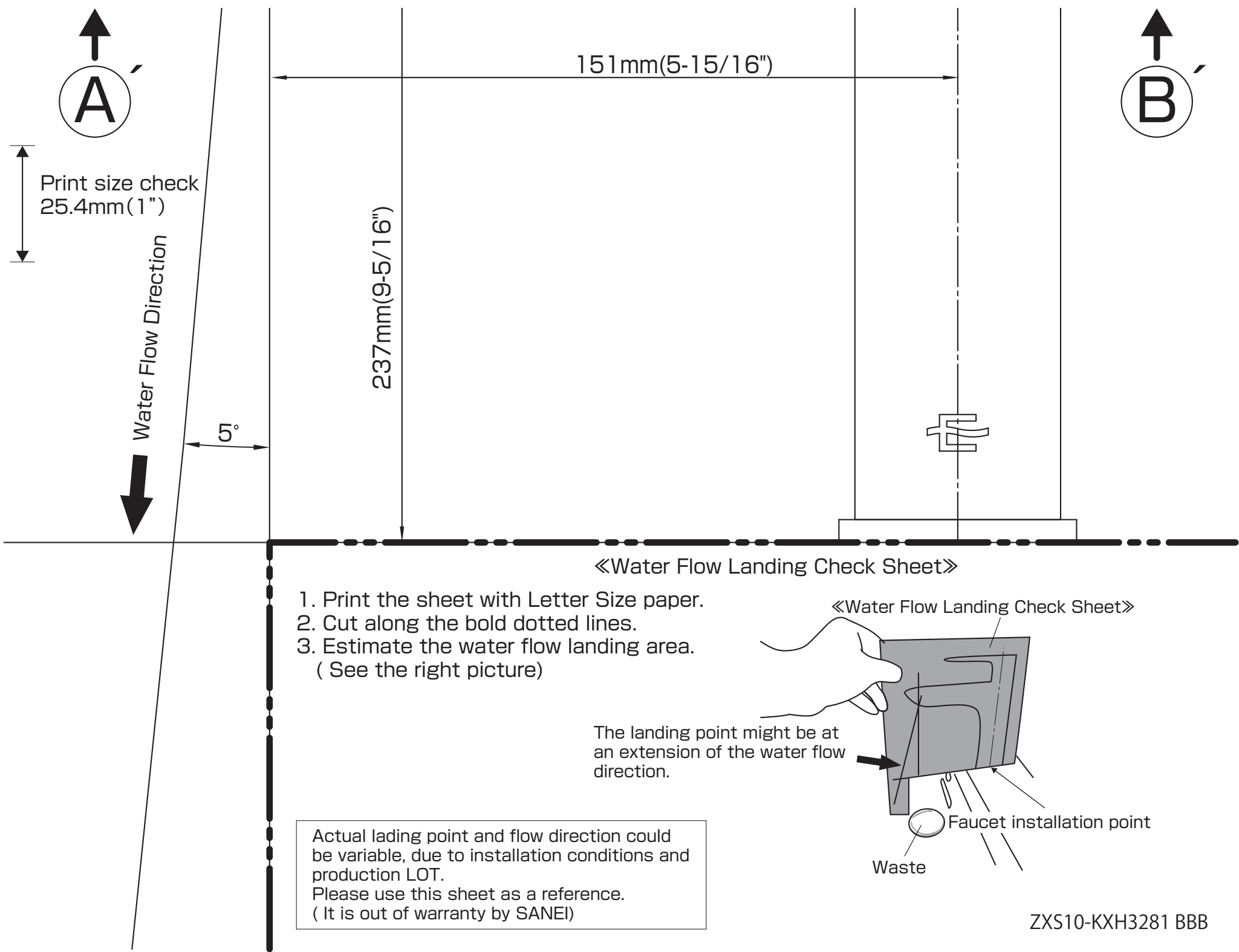
Faucet installation point  
Waste

MODEL# 3281-CRH  
(Vessel Faucet)

Print size check  
25.4mm(1")



Fix 2 sheets with Scotch Tape.



151mm(5-15/16")

237mm(9-5/16")

Print size check  
25.4mm(1")

Water Flow Direction

5°

«Water Flow Landing Check Sheet»

1. Print the sheet with Letter Size paper.
2. Cut along the bold dotted lines.
3. Estimate the water flow landing area.  
( See the right picture)

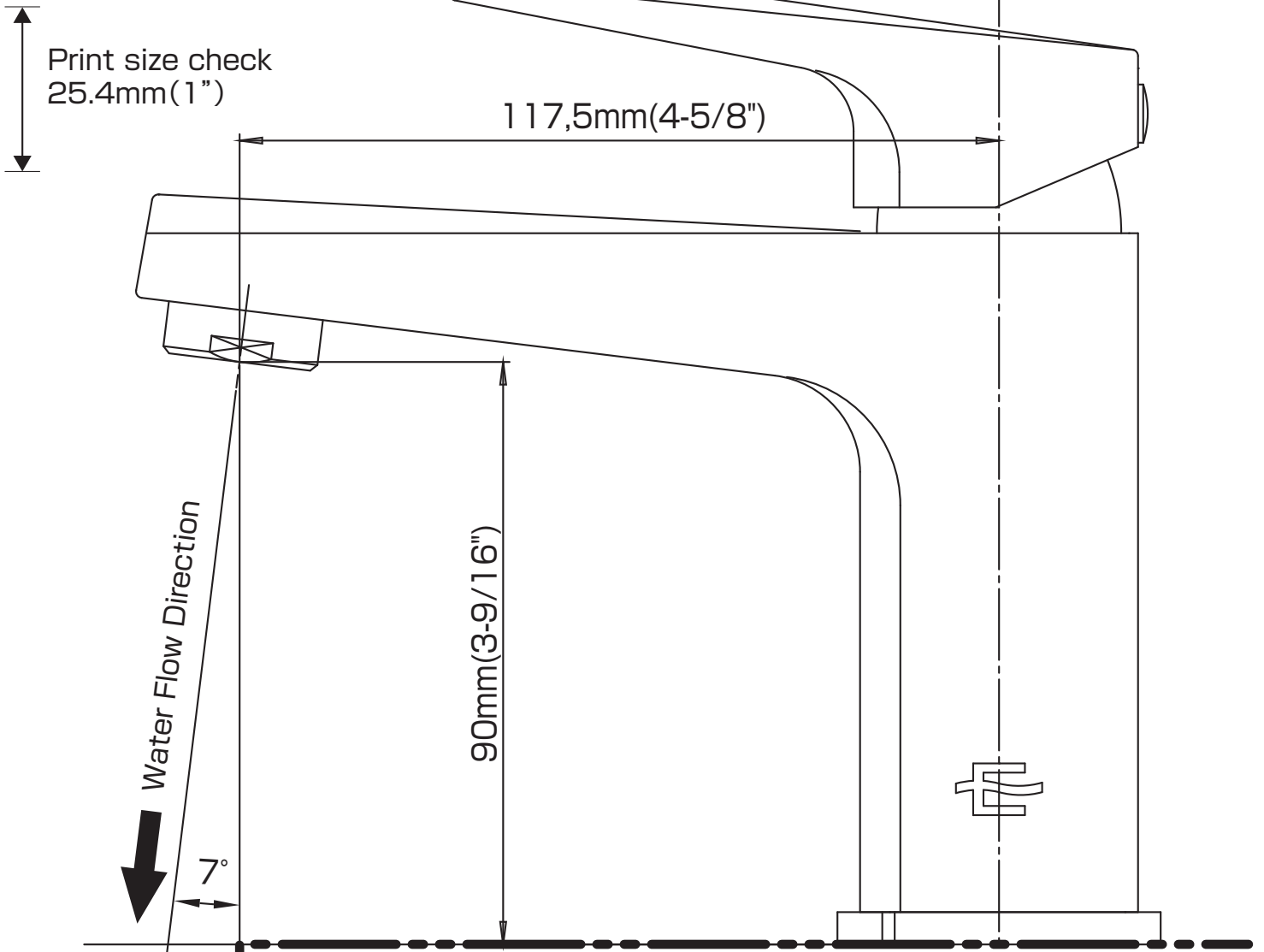
«Water Flow Landing Check Sheet»

The landing point might be at an extension of the water flow direction.

Waste  
Faucet installation point

Actual lading point and flow direction could be variable, due to installation conditions and production LOT.  
Please use this sheet as a reference.  
( It is out of warranty by SANEI)

# MODEL# 3251-CR

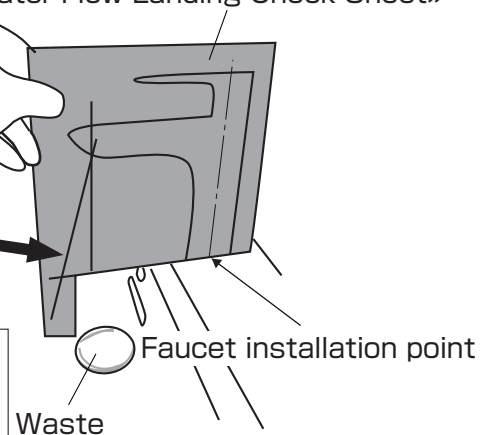


1. Print the sheet with Letter Size paper.
2. Cut along the bold dotted lines.
3. Estimate the water flow landing area. ( See the right picture)

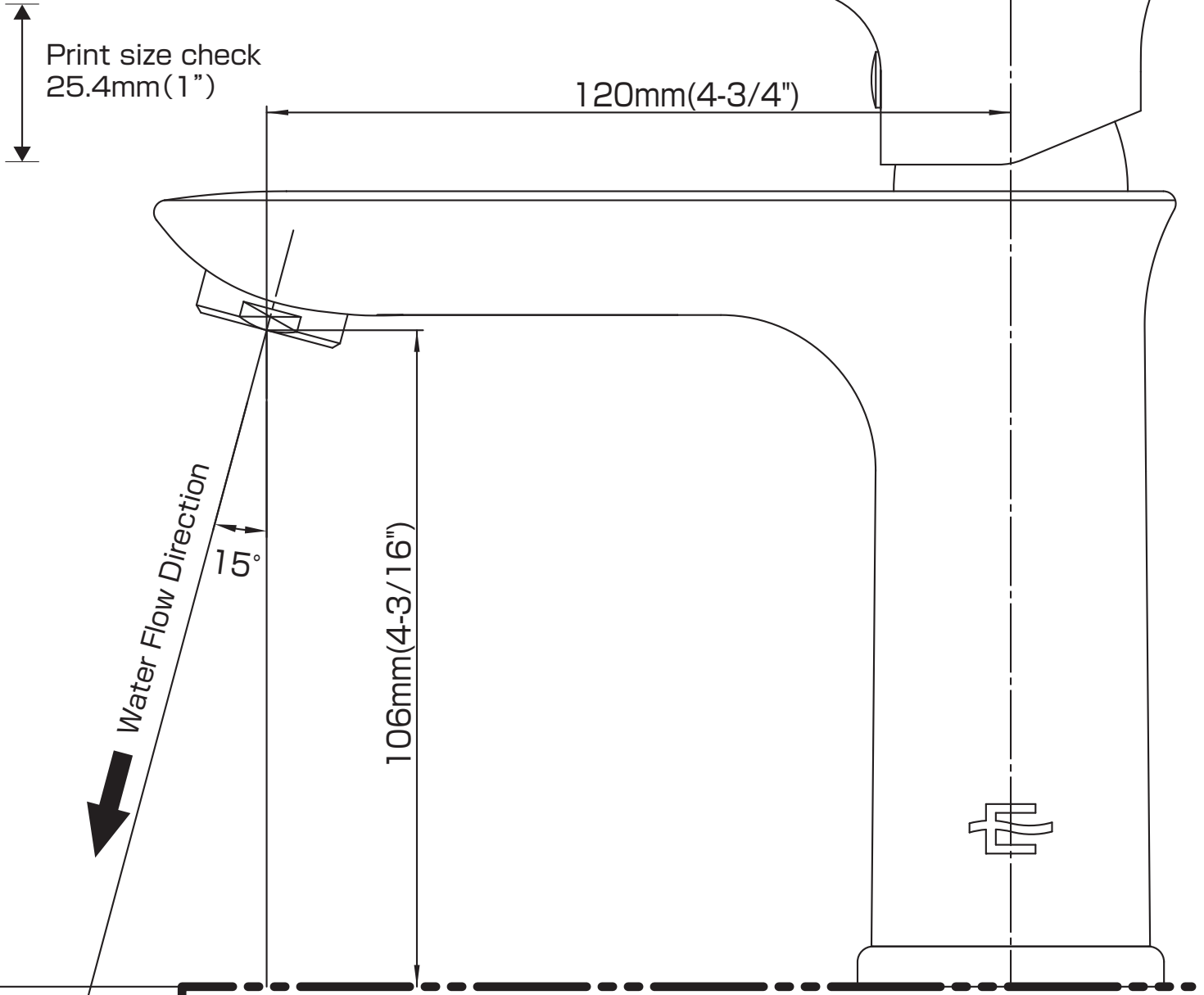
«Water Flow Landing Check Sheet»

The landing point might be at an extension of the water flow direction.

Actual landing point and flow direction could be variable, due to installation conditions and production LOT.  
Please use this sheet as a reference.  
( It is out of warranty by SANEI)



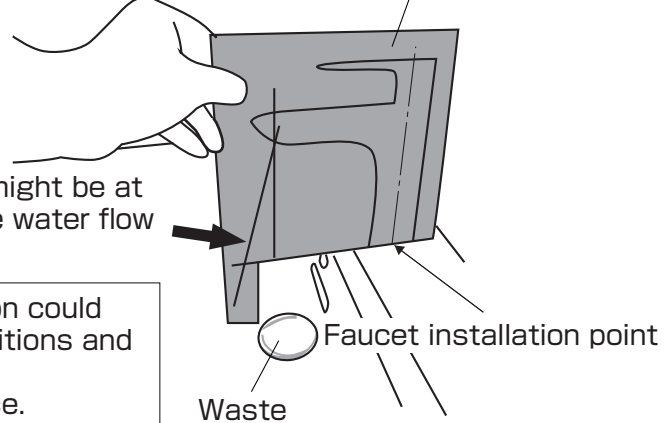
# MODEL# 3193-CR



## «Water Flow Landing Check Sheet»

1. Print the sheet with Letter Size paper.
2. Cut along the bold dotted lines.
3. Estimate the water flow landing area. ( See the right picture)

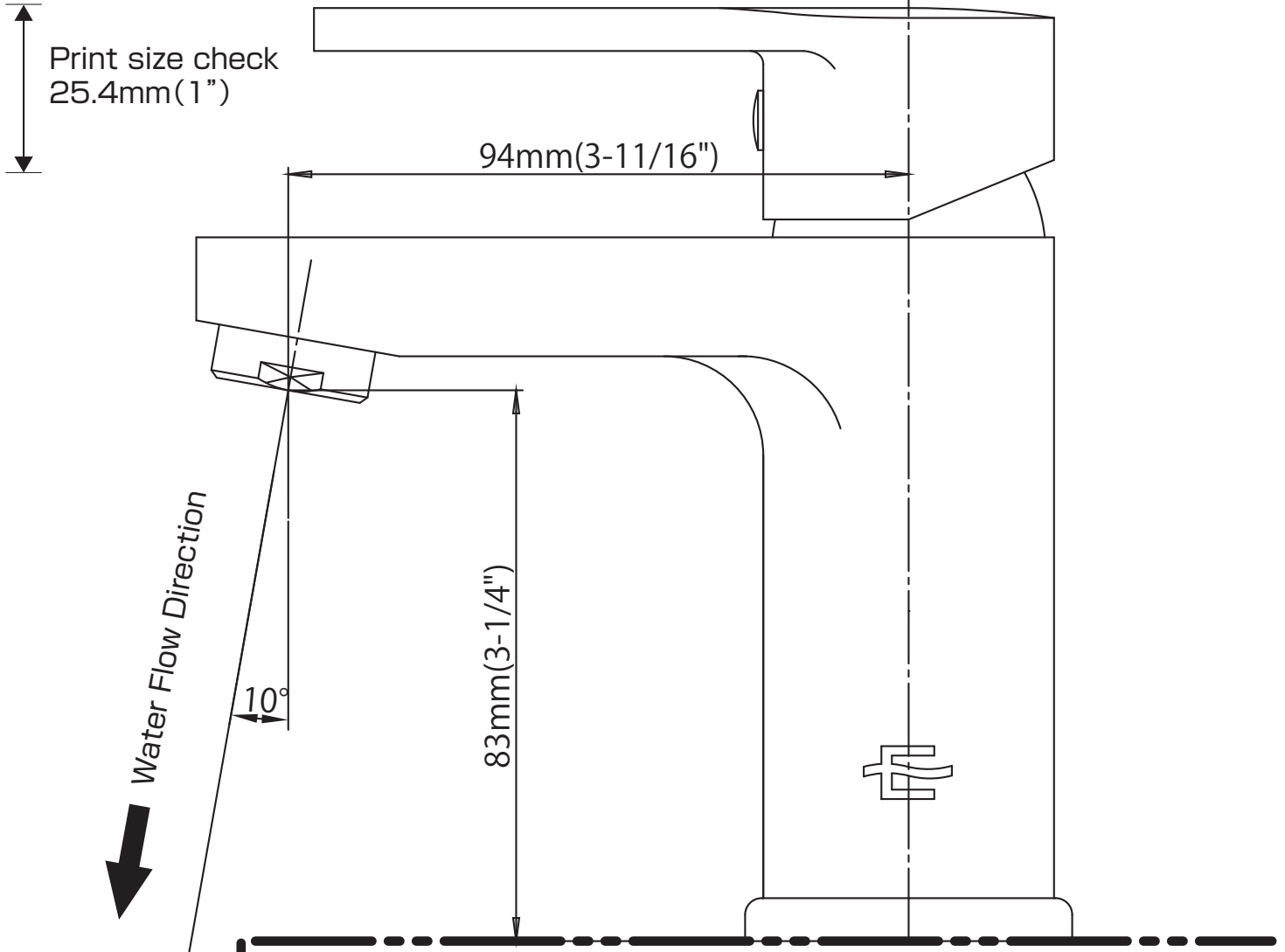
## «Water Flow Landing Check Sheet»



The landing point might be at an extension of the water flow direction.

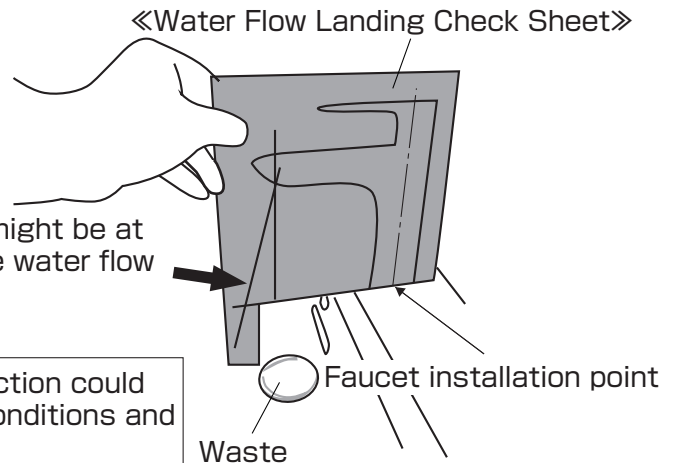
Actual lading point and flow direction could be variable, due to installation conditions and production LOT.  
Please use this sheet as a reference.  
( It is out of warranty by SANEI)

# MODEL# 3203-CR



## «Water Flow Landing Check Sheet»

1. Print the sheet with Letter Size paper.
2. Cut along the bold dotted lines.
3. Estimate the water flow landing area. ( See the right picture)



The landing point might be at an extension of the water flow direction.

Actual landing point and flow direction could be variable, due to installation conditions and production LOT.  
Please use this sheet as a reference.  
( It is out of warranty by SANEI)